

FINELINE58™ FIXTURE

Ultimate flexibility in designing of lines of light, whether straight or curved. FineLine58™ goes beyond the basics. In straight-line mode, it can follow any angle, right or left turns, or outside and inside corners, and can create multipoint intersections of various angles. In Curve mode, any radius can be followed, from 1ft to 99ft. FineLine58™ boasts an easy-to-replace LED cartridge system and flexible lens option to minimize lens joints. Can even be ordered as "Contractor Modified" (CM) option for quick simple patterns where it's cut in the field for custom installs.

BENEFITS

- Create any pattern for ultimate design flexibility.
- Cartridge-based system makes it easy to maintain and install.
- Tight alignment of components via cross nut bolt and aligner tabs keeps patterns straight over long distances.

FINELINE58™ APPLICATIONS



FineLine58™ wall installation



FineLine58™ ceiling installation

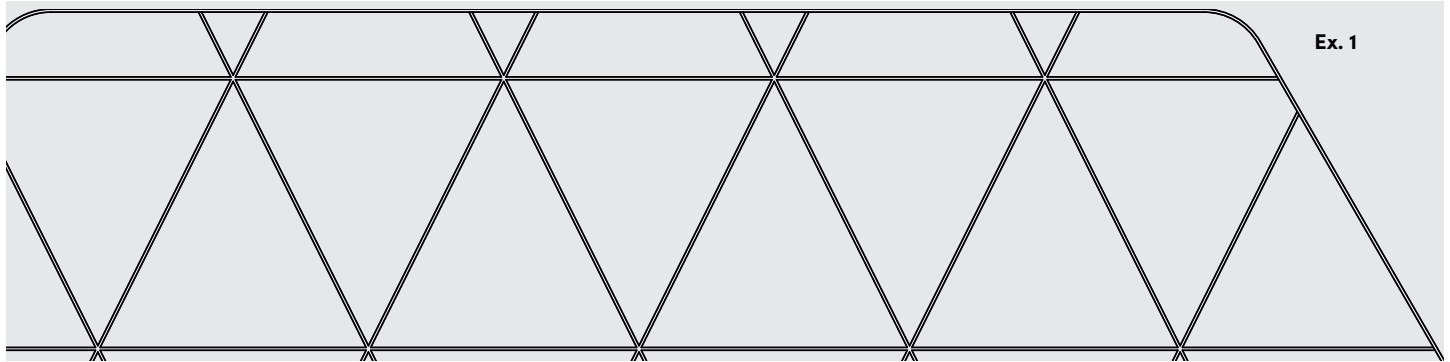


FineLine58™ wall installation

FINELINE58™ INSTALLATION EXAMPLES

Shop drawings will be created for all patterns.

1. FineLine58™ intersections and bends: 6-way intersection with variable angles with arcs, shown with MFB.
2. FineLine58™ pattern: Composed of Line and Arcs.
3. FineLine58™ circle: Circle Min Radius of 12" to centerline.

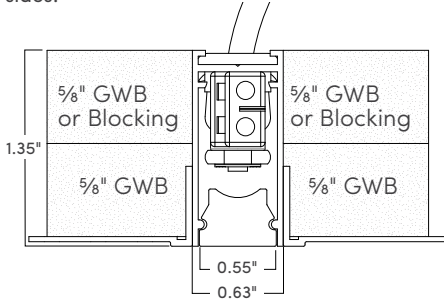


ADDITIONAL NOTES

- Factory may suggest modified length up to 2" to allow a full LED module to ensure equal brightness in corners.
- Consult factory for help with applications not shown or assistance with specifying & ordering.
- Approved shop drawings are required for all patterns.

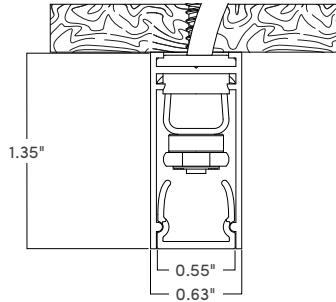
CROSS SECTION

FineLine58 with FA lens, MFB mud flange both sides.



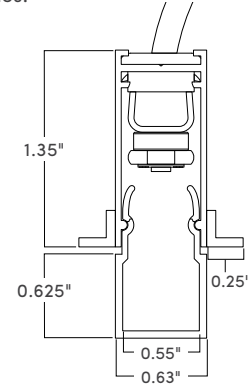
CROSS SECTION

FineLine58 with W lens, screw in.



CROSS SECTION

FineLine58 with TW5 lens and FFB flush flange both sides.



ORDERING

Sample Catalog Number: FL58-6A-27-1-W-R-M-80CM-MF-B-RT-M-NA-IN-CL2P20

SERIES	LAMPING / LED	COLOR	WIRE HARNESS	LENS	DRIVER
--------	---------------	-------	--------------	------	--------

FL58	<i>Delivered Lumens (see chart below for colors)</i>		1	W	R
FL58 Lens 5/8" width	6A 27, 30, 35 for straight runs 155lu/ft LED 6.1w/ft 6B 27, 30, 35 for straight and curved runs 155lu/ft LED 6.1w/ft	27 2700K 90+ CRI 30 3000K 90+ CRI 35 3500K 90+ CRI <i>*Consult factory for RGB or RGBW</i>	1 Single	W White Flush TW5 Tall White 5/8" FA Flexible Acrylic (curves)	R Remote

START END	LENGTH	SIDE FLANGE	# OF FLANGE
-----------	--------	-------------	-------------

	<i>Continuous for up to 96"</i>		
S Straight End F Flange to match side flange C Continuous for complete circle	XX Distance along lens or radius in inch or mm <i>(for individual straight runs only)</i> PATxx Pattern <i>(for all curves & any shape w/ multiple legs)</i> xxCM Contractor Modified <i>(6A LEDs only, straight run only)</i>	MF Mud-in Flange FF Flush Flange N No Flange	B Flange on Both sides L Flange on Left side only R Flange on Right side only

TRANSITION	FINISH END	FLANGE/LIP	UNITS	OPTIONS
------------	------------	------------	-------	---------

		<i>(N/A w/mud flange)</i>		
LTxx Left Turn same plane (15° to 179°) RTxx Right Turn same plane (15° to 179°) ICxx Inside Corner OCxx Outside Corner	S Straight End (no flange) F Flange to match side flange	NA Natural Anodized BK Black BZ Bronze WH White	IN Inches MM Millimeters	WMB Wall Mount Bracket CL2Pxx Longer length CL2P feed cable (std is 10') to reach power supply.

POWER SUPPLY ENCLOSURES

- Remote mounted Power Supply Enclosures (PSE) may contain up to (3) 24vdc Constant Voltage (CV) or Constant Current (CC) Drivers for simple Class 2 installations.
- May be surface mounted or recessed in 2"x4" walls or above accessible ceilings.
- PSE1, PSE2, Enclosures are die formed 16ga CRS with white painted after fabrication finish.
- PSE x is 16ga aluminum.

- Rated to damp location use, Non-IC installations. Consult factory for IC installations
- Chicago Plenum CP enclosures (PSE5) 16ga TIG welded.
- All drivers are short circuit and overload protected.
- Listed for 90C conductors with 1/2" trade size knock outs.
- Nema 3R rating enclosures.
- All drivers are 120V thru 277V, 50/60Hz except for XXXXXXXX, 347V and other world voltages available, consult factory for lead time.

POWER SUPPLY OPTIONS

Sample Catalog Number: R-X-DALI-X-[blank]

DRIVER	QTY	CONTROL TYPE	WATTAGE	PSE STYLE	DIMMING LEVEL	LINKS
R	X (factory determined)		X (factory determined)	X (factory determined)	Dimming level percentage	Wiring Diagrams & additional info
R (Remote)	X		X	X		
	(1, 2)	D010	(100, 80, 60, 40)	(Std)	10%	Link
	(1, 2, 3)	N	(100, 96, 75, 60, 40, 20, 15, 10, 8)	(Std)	100%	Link
	(1, 2)	DALI	(100)	(Std)	0.1%	Link
	(1)	DMX	(100)	(E)	1.0%	Link
	(1)	PDMX	(100)	(Std, E)	1.0%	Link
	(1, 2)	FRD	(96, 60, 20, 15, 10)	(Std, A)	1.0%	Link
	(Blank)	LUT96	(96)	(Blank)	1.0%	Link
	(1, 2)	ELDO010	(100, MC)	(Std, PSE C)	0.1%	Link
				add CP for Chicago Plenum		

DRIVER NOTES

D010 Dimming Electronic drivers - Input 120V thru 277V, 50/60Hz. 0-10v Dimming or on/off switching. Dimmable Drivers with 2ML, 1ML, 3KL may flicker below 10%. Use Constant Current version to dim to 1% without flicker. Requires 20W min load. Available wattages 100, 80, 60, 40.

N Electronic drivers - Input 120V thru 277V, 50/60Hz. Non dim drivers. Available wattages 100, 96, 75, 60, 40, 20, 15, 10, 8.

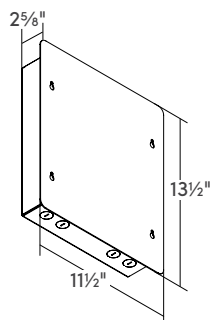
DALI Digital Addressable Lighting Interface, DALI 2 protocol. Single channel, linear dimming 100%-0% 1Khz PWM dimming, 255 levels. 97% efficiency, Input 120V thru 277V, 50/60Hz, auto recovery mode.

DMX Digital Multiplex, Bi Directional RDM v1.0 (E1.20-2006 ESTA standard) addressable DMX decoder. Up to 5Ch output (RGBW). Input 120V thru 277V, 50/60Hz. input and output data ports are 3wire/XLR/RJ45. For simple fixed color applications without Master DMX control system, see PDMX.

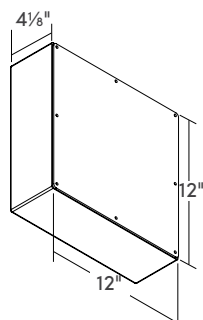
PDMX Programmable DMX control for fixed color applications. Works well with gels or filters. Use rgb, rgbW to create a pop of color without DMX master control systems. Input 120V thru 277V, 50/60Hz. Provide R/G/B/W % or DMX value. Decoders are programmed at the factory. No DMX cable required between remote locations.

FRD Freedom Driver allows the user to wire the driver for one of three dimming protocols - ELV, Triac, or 0-10vdc dimming control. Makes for easy wall box controller selection for new or to match existing construction. Input 120V thru 277V, 50/60Hz. Available wattages: 96, 60, 20, 15, 10.

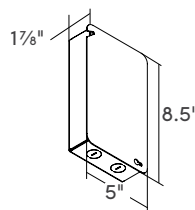
LUT96 Lutron Hi-Lume Premier driver, (L3DO) - Dim to 1% with 3 wire dimmer or 1% SOFTB with EcoSystem™. Requires 25W min load. Input 120V thru 277V, 50/60Hz. Comes in its own enclosure; 5.5" (140mm) x 2" (51mm) x 10.5" (267mm). Available wattage 96W.



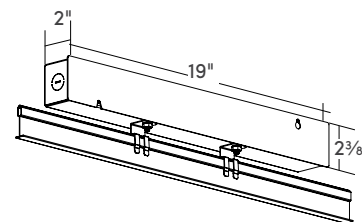
Standard (Blank)



Chicago Plenum Power Supply Enclosure



Power Supply Enclosure Style A



Power Supply Enclosure Style C

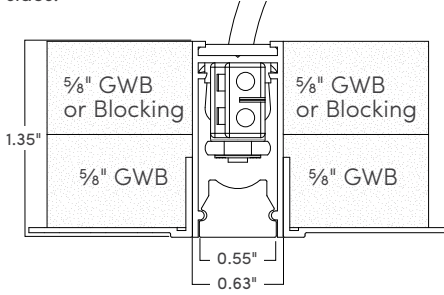
*Constant factor for DALI and Lutron driver options. **Constant Current requires a factory programmed driver for each LED panel

Specifications and dimensions subject to change without notice. Protected under U.S. Pat. 8109659 and other patents pending.

CROSS SECTION OPTIONS

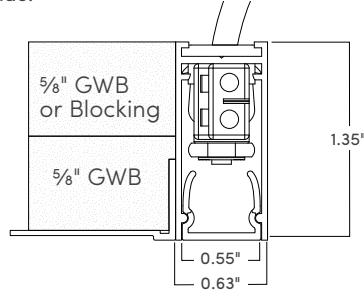
CROSS SECTION

FineLine58 with FA lens, MFB mud flange both sides.



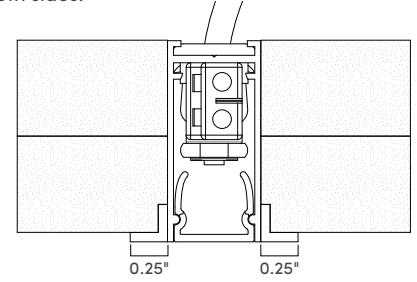
CROSS SECTION

FineLine58 with W lens, MFB mud flange single side.



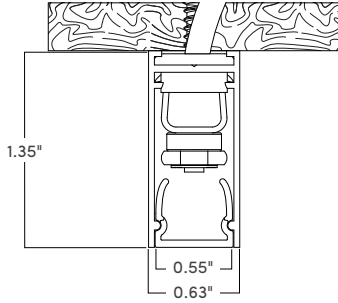
CROSS SECTION

FineLine58 with TW5 lens and FFB flush flange both sides.



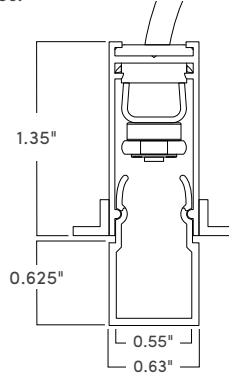
CROSS SECTION

FineLine58 with W lens, screw in.



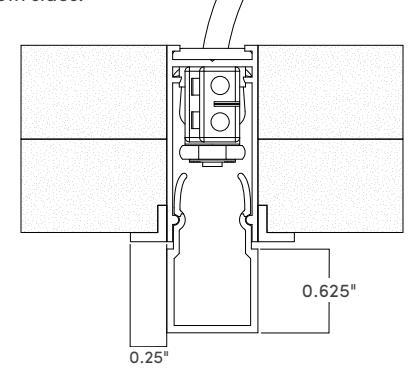
CROSS SECTION

FineLine58 with TW5 lens and FFB flush flange both sides.



CROSS SECTION

FineLine58 with TW5 lens and FFB flush flange both sides.



HOUSING

- Extruded aluminum housing, (0.055nominal) anodized and painted for superior performance.
- Maximum 8ft housing segments ships with 10ft CLP2 plenum rated cable attached to reach remote power supplies. Longer lengths available. Housing can be installed before or after drywall. Supplied foam protects the interior from mud-in installation debris.
- Housing may be ordered with/without back wiring compartments, specific to project details.
- Housings can provide left/right turns (15°-179°), inside/outside corners (15°-179°). Angle is defined as between the two housing segments.
- Multiple housing and intersections join together with cross nut bolts system to provide a secure fit and proper alignment.

VARIOUS ENDS

- **M** when mid field (vinyl, can be field cut).
- **S** when against hard stops (walls, floor, baseboard).
- **ALxx** (angle left) & **ARxx** (angle right) angle cut (1° to 66°).
- **C** continuous for complete circle, 12" min radius.

MODIFICATIONS

- **CM** Contractor Modified allows for a perfect architectural fit.
- For unique patterns, modifications or to combine with other Dado products, consult factory for shop drawings.

LED

- Standard 90+CRI, Ra9 >50 for all LED colors, single CCT, and tunable white.
- LEDs attached at the factory to a removable cartridge for easy relamping and maintenance. Provided with polarity keyed DC quick connects and are secured via rare-earth magnetics.
- Constant Voltage LEDs provide smooth dimming, no flicker.
- RGB available with some geometry restrictions, provided with RDM DMX control. Provide over 16 million colors.
- Binned within 3 MacAdam ellipses.

TRANSITIONS

- When lens changes directions on same plane or to a 2nd plane. (Minimum length 3.875" or 98mm per side).

OPTICS

- Snap-in high transmission acrylic lens (0.060 nominal) with matte white finish, in W and TW5 sizes.
- Matte finish flexible acrylic polymer lens for use with any curved segment. Lens match in brightness and luminance.
- Snap-in high transmission acrylic lens (0.060 nominal) with matte white finish.
- Dry and damp rated operating ambient, 0°-40°C (32°-105°F).

OPTIONS

- **CP** Chicago Plenum rated remote power supply.
- **CL2P** (Longer length CL2P feed cable (std 10') to reach power supply.
- **WMB** Wall Mounted Bracket.
- **EM** Labeled feed cables. Require relay by others to switch from normal to EM input at driver. Dado does not provide battery packs.
- Approved shop drawings are required for all patterns.

ENVIRONMENTAL DATA

Temp range: 0°-90°F (-20 — 30°C)
No Mercury, No UV, No Flicker
Warranty: 5 years
cETLus Damp Listed IC Rated

Contact factory for construction details to install in environments with ambient temperatures above 90° F for more than 5 hours.

Specifications and dimensions subject to change without notice. Protected under U.S. Pat. 8109659 and other patents pending.

©2022 dado lighting | Version: FL58-001A | dadolighting.com | info@dadolighting.com | 708.608.3236 (dado)